

Power supply ZL-24-01

- ✓ **Maximum output current 100 mA or 2 × 50 mA**
- ✓ **Indication of presence of output voltage**
- ✓ **Permanently resistant to short circuits and excess voltage**
- ✓ **Casing can be fitted on a standard rail (TS35, TS32)**



Applications and functions

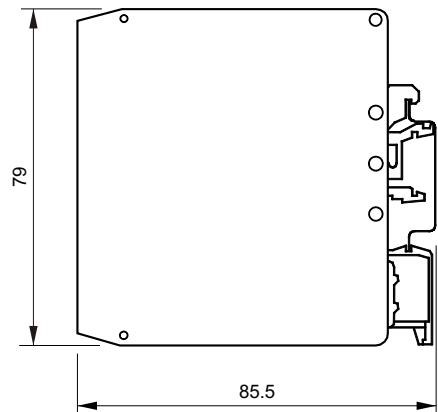
The ZL-24-01 power supply is used with a 220 V, 50 Hz AC network supply to power devices requiring direct current (output voltage in the range 5 ÷ 28 V, standard value 24 V).

The product can be ordered in two versions: with a single DC output (24 V, 100 mA) or two DC outputs (2 × 24 V, 50 mA).

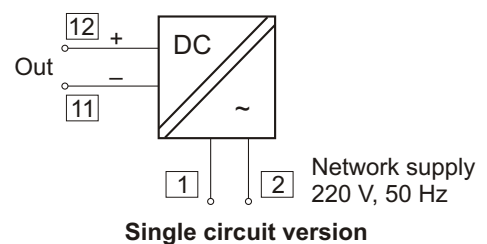
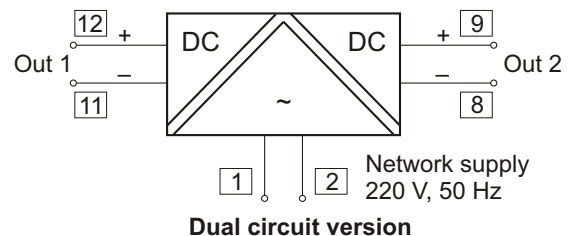
The ZL-24-01 is typically used to power automatic devices requiring a 24 V DC power supply.

Technical parameters

Input voltage	220 V, 50 Hz (±10%)
Output voltage	24 V DC (special versions: 5 ÷ 28 V)
Maximum load current	100 mA (current limitation 120 mA) 2 × 50 mA (current limitation 70 mA per circuit)
Galvanic separation	network transformer
Strength test parameters	1.5 kV AC, 50 Hz, 1 min
Ambient temperature	5...60°C
Casing	UEGM 40 (PHOENIX)
Ingress protection rating	IP 20
Weight	0.35 kg



Electrical diagrams



Ordering procedure

Standard single circuit version: **ZL-24-01×1**

Standard dual circuit version: **ZL-24-01×2**

Special version: **ZL-...-01×..**

Output voltage (value from 5 to 28 V)

Number of circuits (1 or 2)