

# Digital indicator with relay outputs PMS-770T



- ✓ Universal measuring input  
4...20 mA, 0...20 mA or 0...10 V
- ✓ 4 relay outputs: 1 A, 230 V AC
- ✓ 4x7 mm LED display + 20-point bargraph
- ✓ Integrated power supply 24 V DC
- ✓ Fully isolated passive current output 4-20mA

## Functions and use

The programmable digital indicator model PMS-770T is a panel meter for a wide range of industrial applications. Provides measurement of voltage and current process signals, analogue signal retransmission and ON/OFF relay control. The PMS-770T has a four –digit LED display (7mm high, green colour) and a 10-points three-colour bargraph. The alarm values are shown on four red diodes situated on the front panel and additionally marked on the bargraph. A multi-segment characteristic can be freely definable by the user.

The PMS-770T enables programming the following parameters:

- type of input
- measuring range on a LCD display, decimal point position
- level and individual hysteresis of action of relays
- relays operation mode: NO or NC
- user's characteristic (segmental approximation, max. 10 points)
- filtering time-constant
- range of analog output signal
- bargraph mode: one or three colours

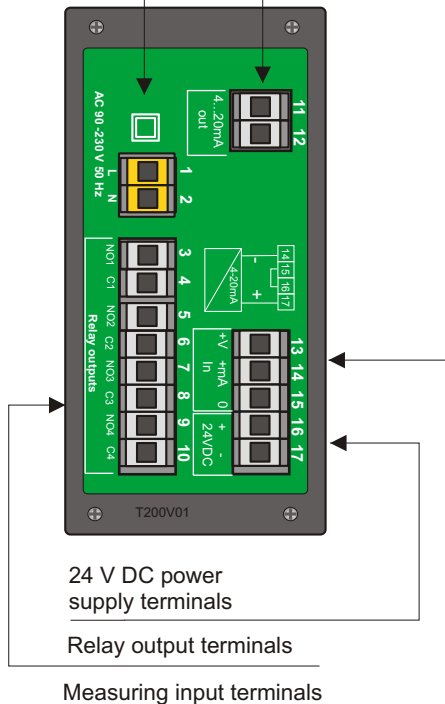
### Outer dimensions:

width **48**, height **96**, depth **96 [mm]**

Dimensions of panel cut-out: **45 × 91.8[mm]**

Current output terminals

Power supply (Mains)



24 V DC power supply terminals

Relay output terminals

Measuring input terminals

**Back side of meter**

## Technical data

<b>Input signal</b>	0/4...20 mA or 0...10 V
<b>Display range</b>	-999 to 9999
<b>Display error</b>	±0.1%
<b>Relay outputs</b>	4 × 1 A/250 V AC, NO
<b>Power supply</b>	90 - 260 V AC
<b>Integrated power supply</b>	24 V DC stab., max. 25 mA
<b>Operating temperature range</b>	5...40°C
<b>Storage temperature</b>	-10...70°C
<b>Fully isolated passive output</b>	4-20mA
<b>Casing</b>	panel type, IP-54 (from the front)

## Ordering procedure

**PMS-770T**